

DCV 440 12/24 Volts D.C.

DCV Electric Vibrators were designed for applications where the power supply is **12 or 24 Volts DC**

It is widely used in Concrete Pump Applications where the vibrator can be totally submerged in wet concrete.

When mounted rigidly on hopper grid, the DCV helps promote flow of no-slump concrete through the grid into the inlet hopper.

It is also employed with landscape equipment, fertilizer trailers, spreaders, hoppers and in street sweeping trucks.



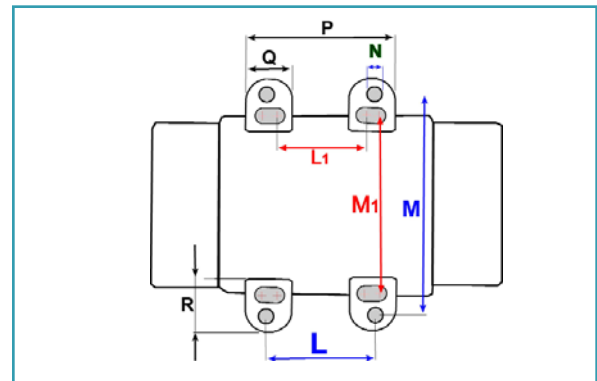
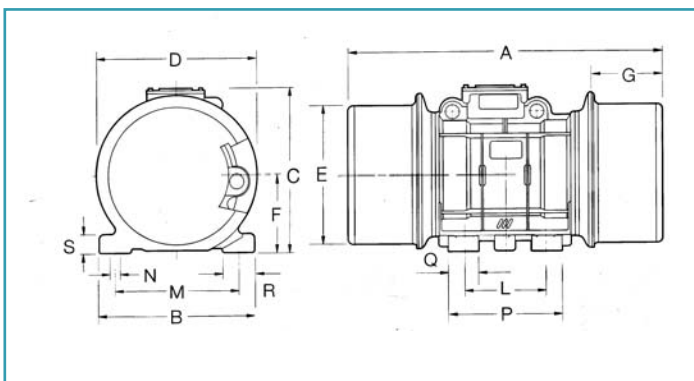
Housing is made of high strength aluminum alloy.

Bearings are larger for longer vibrator's life

When vibrator is powered with 12 volts, coming from a battery supply, it can work continuously at maximum force

When the alternator is on, the real voltage feeding the vibrator is 14.5 volts. In this case, force setting should not exceed 70%

PERFORMANCE DATA								
MODEL	VOLTAGE	FORCE OUTPUT	FREQUENCY	UNBALANCE	HP	AMP DRAW	STARTUP CURRENT MULTIPLIER	WEIGHT
	Volts	lbs	vpm	in -lbs	h.p.	Amps		lbs
DCV 440	12	367	3100	1.20	0.17	10.8	3.1	14
	14.5	537	3750	1.20	0.17	13.0	3.1	14
	24	367	3100	1.20	0.17	5.4	3.0	14
	28	537	3750	1.20	0.17	6.5	3.0	14
DCV 50/440	12	295	5500	0.34	0.17	10.8	2.8	13
	14.5	430	6600	0.34	0.17	13.0	2.8	13



DIMENSIONS																	
MODEL	A	B	C	D	E	F	G	L	L1	M	M1	N	P	Q	R	S	BOLT HOLE NBR
DCV 440	8.34	5.90	5.70	4.45	4.13	2.36	1.81	2.75	2.44-2.91	5.12	4.17	0.35	3.9	1.18	1.37	0.39	4
DCV 50/440	8.34	5.90	5.70	4.45	4.13	2.36	1.81	2.75	2.44-2.91	5.12	4.17	0.35	3.9	1.18	1.37	0.39	4

POWTEK

2500 Pearl Buck Rd. - SUITE I BRISTOL, PA 19007
 PH: 215-788-2888 FAX: 215-788-2883
 powtek@comcast.net www.powtekcorp.com