

SMALL ROLLER VIBRATORS

CR



Powtek small concrete vibrators are **single roller** devices designed for applications requiring high frequency and medium force

FEATURES

Great concrete densification without the destructive force of larger models.

Powerful output force up to 3000 lbs.

CR models are fit for **lug bracket mount**

DR models are **bolt mounted**

CR vibrators are used mounted to the small cradle lug bracket **M-17**

PERFORMANCE DATA

MODEL	FREQUENCY (vpm)		FORCE OUTPUT (lbs)		AIR CONSUMPTION (cfm)	
	60 PSI	90 PSI	60 PSI	90 PSI	60 PSI	90 PSI
CR 700 / DR 700	14000	19000	780	1200	26	35
CR 1600 / DR 1600	13500	18000	1300	2000	28	38
CR 4400 / DR 4400	12000	16000	2100	3200	32	43

CR BENEFITS

Only one quick disconnect vibrator to be moved from bracket to bracket instead of installing many permanent vibrators.

APPLICATIONS

Precast concrete forms.
Ideal for medium and thin gauge forms.
It is used in wall panels of 8" or less

DR



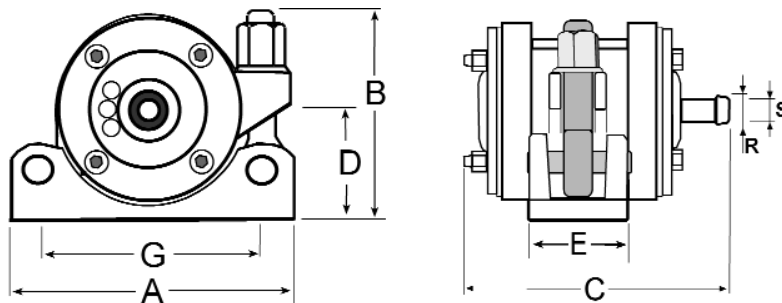
DR models for Permanent Vibration Systems

With the rapid advance of automation in the precast/prestressed concrete industry, most producers casting long line forms have chosen permanent mount installation. Some of the advantages of a permanent system are as follows:

- Two or more men who would normally be moving vibrators, can be eliminated from the crew or could be used in more productive tasks.
- Vibrator life is extended considerably since each will run approximately just a few minutes per day. This is opposed to a portable vibrator that, by being used over and over again, could run as much as 100 times longer per month.
- Since each vibrator is permanently connected to an air manifold near the form, there is no danger of grit or dirt entering the air line. In a CR portable system, air hoses could be dragged on the ground.
- **A permanent external vibrator installation allows extremely fast pouring.** The form will accept the concrete as fast as it can be delivered.
- The life of a concrete form is extended since total vibration force is divided among a large number of less powerful and more gentle vibrators.

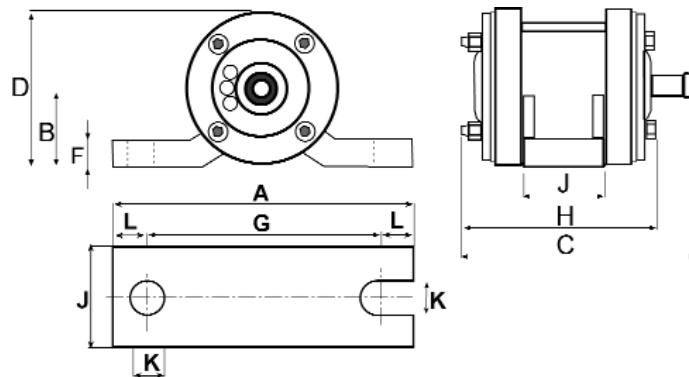
CR MODELS DIMENSIONS

MODEL	A	B	C	D	E	G	R	S	Bracket	Weight (lbs)
CR 700	7"	5.5"	6.75"	2.75"	3.66"	5.59"	0.71"	0.59"	M-17	15
CR 1600	7"	5.5"	6.75"	2.75"	3.66"	5.59"	0.71"	0.59"	M-17	15
CR 4400	7"	5.5"	6.75"	2.75"	3.66"	5.59"	0.71"	0.59"	M-17	16



DR MODELS DIMENSIONS

MODEL	A	B	C	D	F	G	H	J	K	L	Weight (lbs)
DR 700	8.66"	5"	6.5"	2.6"	0.75"	7"	5.7"	2.36"	0.71"	0.83"	15
DR 1600	8.66"	5"	6.5"	2.6"	0.75"	7"	5.7"	2.36"	0.71"	0.83"	16
DR 4400	8.66"	5"	6.5"	2.6"	0.75"	7"	5.7"	2.36"	0.71"	0.83"	17



DR model can be used with a variety of quick mounting brackets capable of working with different concrete forms.



POWTEK

2500 Pearl Buck Rd - Suite I BRISTOL, PA 19007
 PH: 215-788-2888 FAX: 215-788-2883
 powtek@powtekcorp.com www.powtekcorp.com